



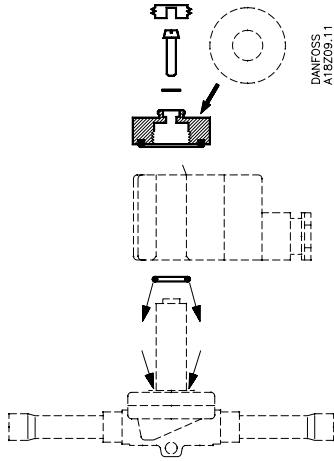
# INSTRUCTIONS

Seal kit 018Z0092

018R9661

EVR for railways

018R9661



© Danfoss A/S (AC-RCMP.jp)

Rf.03.F1.03 → RI.3J.C1.02 03-1999



# INSTRUCTIONS

Seal Kit

NC 018Z0093

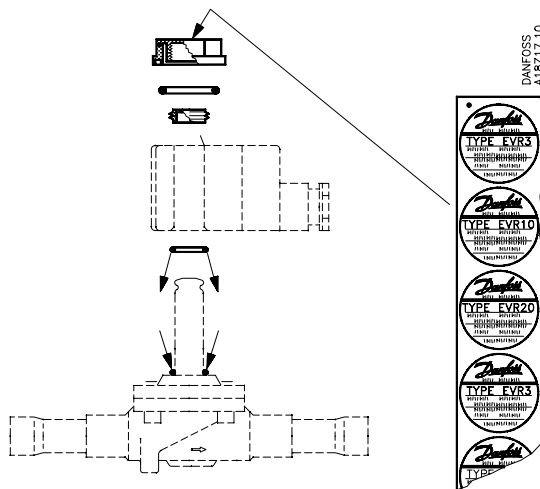
NO 018Z0091

NC 018Z0096

018R9673

NC 018Z0093

018R9673

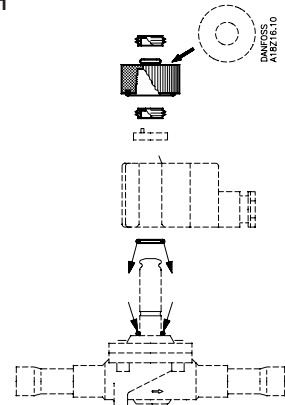


EVR (NC)

© Danfoss A/S

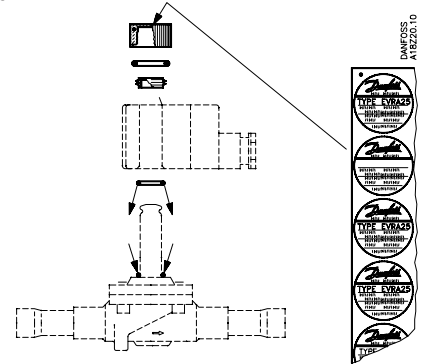
Rf.03.K3.00 → RI.3J.B1.00 03-1999

NO 018Z0091



EVR NO

NC 018Z0096



EVRA, EVM (NC)